

Stock Code: 003021

ZHAOWEI

ZHAOWEI Drum Motor Product Specification

Committed to progress in the field of micro-drives to create
a smarter and better life.

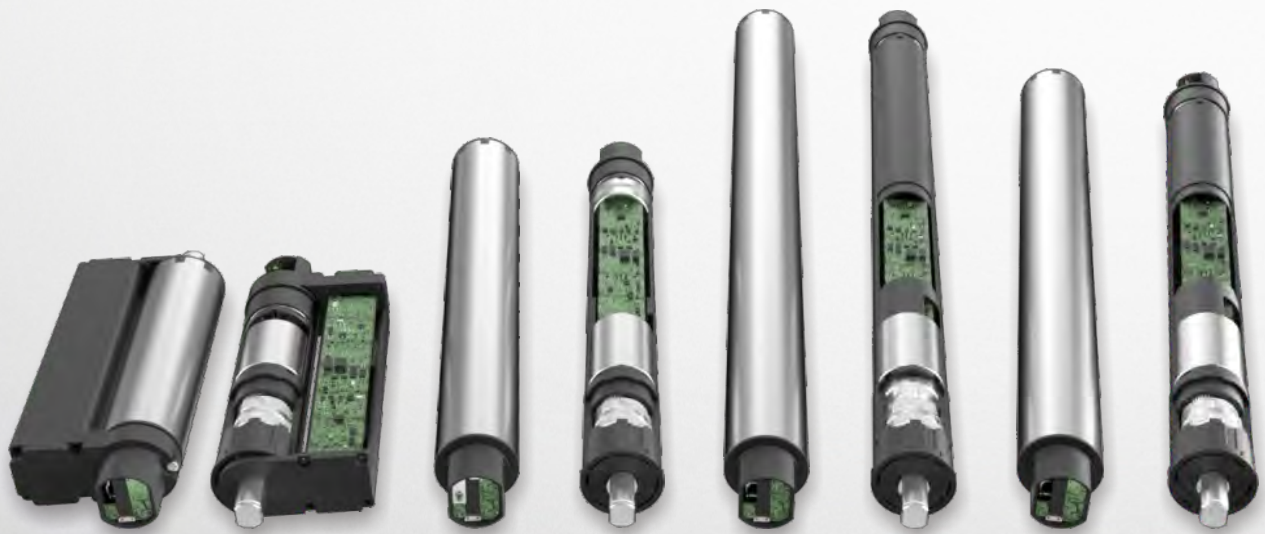
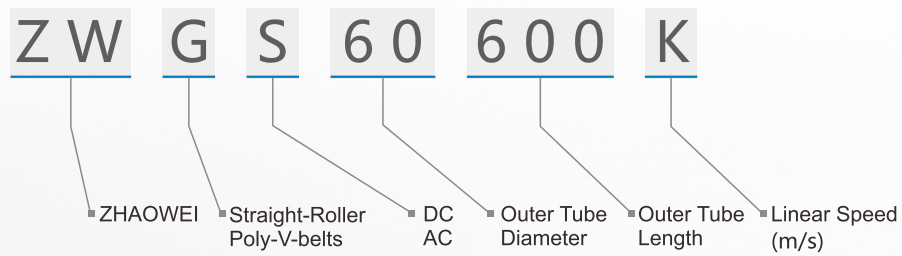
Shenzhen Zhaowei Machinery & Electronics Co.,Ltd.
Building101,No.62,Yanhu Road,YanchuanCommunity, Yanluo Street,
Bao'an Distr.,Shenzhen,518127,Guangdong,China
sales@zwgearbox.com

400-066-2287
www.zwgearbox.com

Drum Motors

ZHAOWEI drum motor has different length including 150mm, 300mm, 400mm and 500mm, different diameter including $\Phi 40\text{mm}$, $\Phi 50\text{mm}$ and $\Phi 60\text{mm}$, 4W-60W power range, for customer to select or customize.

PRODUCT MODEL DEFINITION



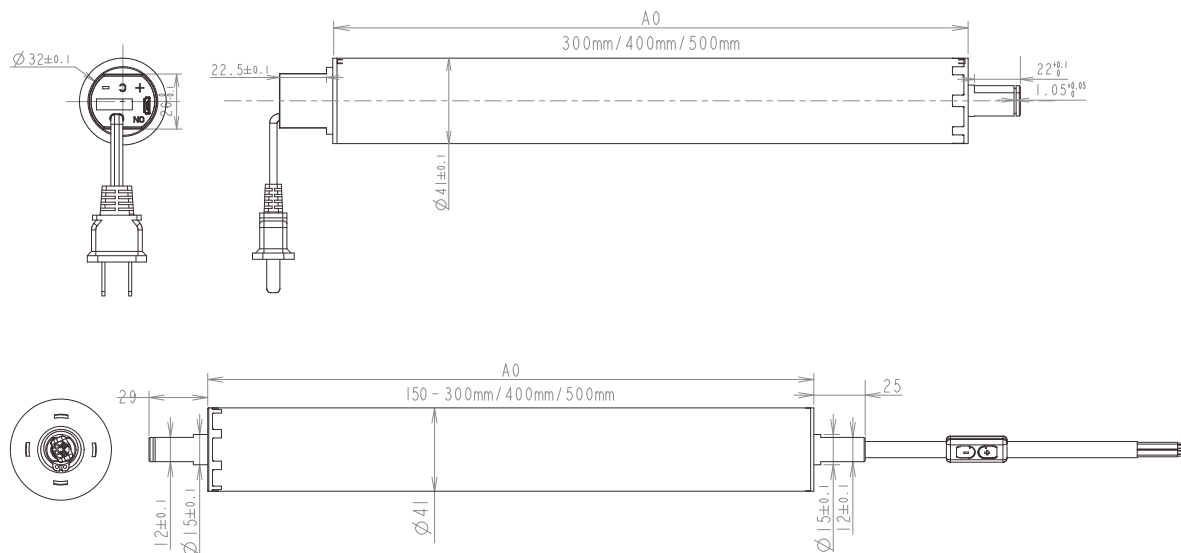
φ40mm



Rated Voltage	Rated Current	Working Temperature	Storage Temperature	Operating Life
24V DC / 220V AC	0.12A	-10°C ~ 50°C	-20°C ~ 60°C	3000H min.

Model	Length	Nominal Power (W)	Reduction Ratio	Output Torque (Kgf.cm)	Output Speed (rpm)	Conveyer Displacement Velocity (m/s)	
ZWGS40150A	150~300mm	25 max	4	2	750	1.610	
ZWGS40150C			25	15	120	0.258	
ZWGS40150E			64	38	47	0.101	
ZWGS40150F			100	60	30	0.064	
ZWGS40150K			156.25	80	19	0.041	
ZWGS40300A	300mm	25 max	4	3	750	1.610	
ZWGS40300C			25	21	120	0.258	
ZWGS40300E			64	53	47	0.101	
ZWGS40300F			100	83	30	0.064	
ZWGS40300K			156.25	80	19	0.041	
ZWGS40400A	400mm	25 max	4	3	750	1.610	
ZWGS40400C			25	21	120	0.258	
ZWGS40400E			64	53	47	0.101	
ZWGS40400F			100	83	30	0.064	
ZWGS40400K			156.25	80	19	0.041	
ZWGS40500A	500mm	25 max	4	3	750	1.610	
ZWGS40500C			25	21	120	0.258	
ZWGS40500E			64	53	47	0.101	
ZWGS40500F			100	83	30	0.064	
ZWGS40500K			156.25	80	19	0.041	

Technical Drawing



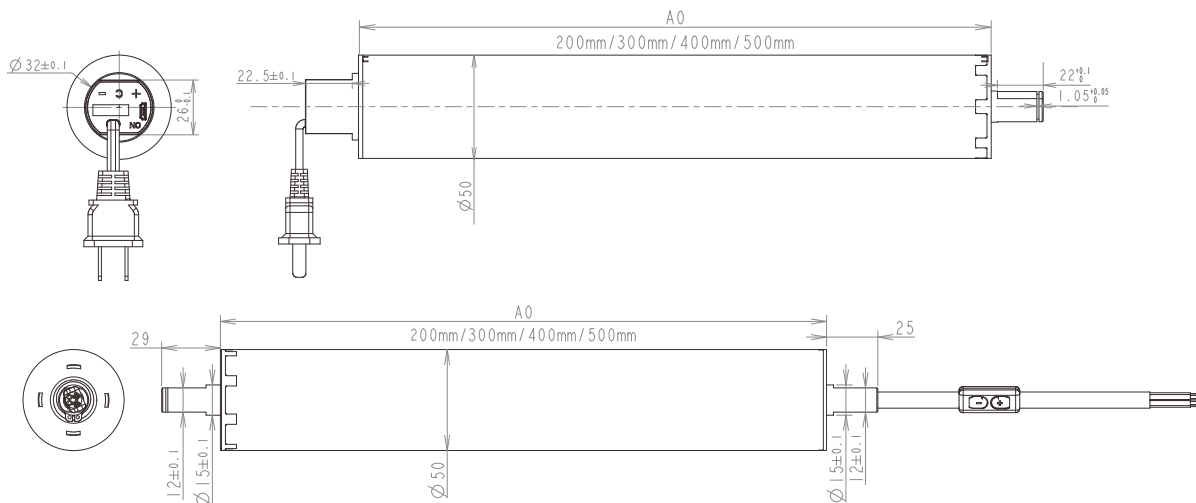
φ50mm



Rated Voltage	Rated Current	Working Temperature	Storage Temperature	Operating Life
24V DC / 220V AC	0.12A	-10°C ~ 50°C	-20°C ~ 60°C	3000H min.

Model	Length	Nominal Power (W)	Reduction Ratio	Output Torque (Kgf.cm)	Output Speed (rpm)	Conveyer Displacement Velocity (m/s)	
ZWGS50200A	200mm	25 max	4	2	750	1.610	
ZWGS50200B			6	4	500	1.073	
ZWGS50200C			16	10	188	0.403	
ZWGS50200D			36	22	83	0.179	
ZWGS50200E			64	38	47	0.101	
ZWGS50200F			96	58	31	0.067	
ZWGS50200K			144	86	21	0.045	
ZWGS50300A	300mm	25 max	4	5	750	1.610	
ZWGS50300B			6	8	500	1.073	
ZWGS50300C			16	21	188	0.403	
ZWGS50300D			36	48	83	0.179	
ZWGS50300E			64	85	47	0.101	
ZWGS50300F			96	128	31	0.067	
ZWGS50300K			144	150	21	0.045	
ZWGS50400A	400mm	40 max	4	5	750	1.610	
ZWGS50400B			6	8	500	1.073	
ZWGS50400C			16	21	188	0.403	
ZWGS50400D			36	48	83	0.179	
ZWGS50400E			64	85	47	0.101	
ZWGS50400F			96	128	31	0.067	
ZWGS50400K			144	150	21	0.045	
ZWGS50500A	500mm	40 max	4	5	750	1.610	
ZWGS50500B			6	8	500	1.073	
ZWGS50500C			16	21	188	0.403	
ZWGS50500D			36	48	83	0.179	
ZWGS50500E			64	85	47	0.101	
ZWGS50500F			96	128	31	0.067	
ZWGS50500K			144	150	21	0.045	

Technical Drawing



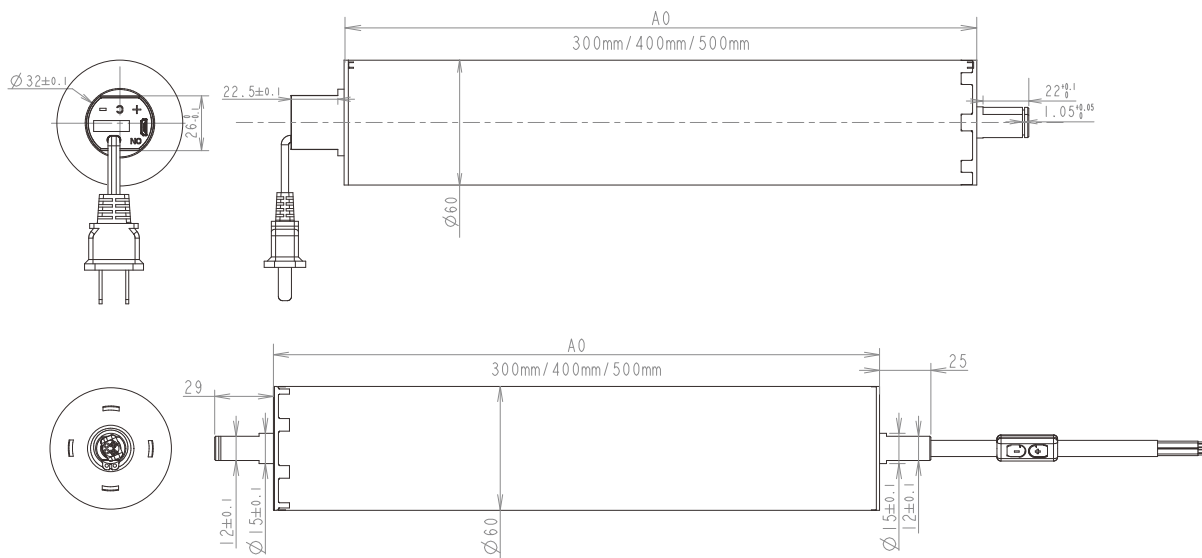
φ60mm



Rated Voltage	Rated Current	Working Temperature	Storage Temperature	Operating Life
24V DC / 220V AC	0.12A	-10°C ~ 50°C	-20°C ~ 60°C	3000H min.

Model	Length	Nominal Power (W)	Reduction Ratio	Output Torque (Kgf.cm)	Output Speed (rpm)	Conveyer Displacement Velocity (m/s)	
ZWGS60300A	300mm	60 max	4	8	750	1.610	
ZWGS60300B			6	12	500	1.073	
ZWGS60300C			16	32	188	0.403	
ZWGS60300D			36	72	83	0.179	
ZWGS60300E			64	128	47	0.101	
ZWGS60300F			96	150	31	0.067	
ZWGS60300K			144	150	21	0.045	
ZWGS60400A	400mm	60 max	4	8	750	1.610	
ZWGS60400B			6	12	500	1.073	
ZWGS60400C			16	32	188	0.403	
ZWGS60400D			36	72	83	0.179	
ZWGS60400E			64	128	47	0.101	
ZWGS60400F			96	150	31	0.067	
ZWGS60400K			144	150	21	0.045	
ZWGS60500A	500mm	60 max	4	8	750	1.610	
ZWGS60500B			6	12	500	1.073	
ZWGS60500C			16	32	188	0.403	
ZWGS60500D			36	72	83	0.179	
ZWGS60500E			64	128	47	0.101	
ZWGS60500F			96	150	31	0.067	
ZWGS60500K			144	150	21	0.045	

Technical Drawing



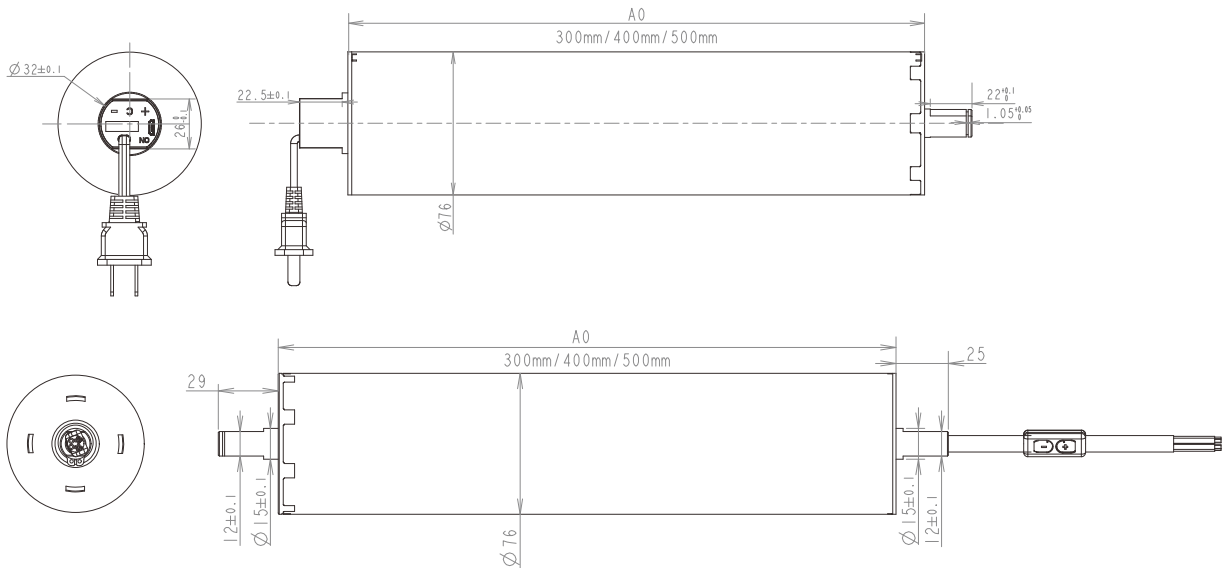
φ76mm



Rated Voltage	Rated Current	Working Temperature	Storage Temperature	Operating Life
24V DC / 220V AC	0.12A	-10°C ~ 50°C	-20°C ~ 60°C	3000H min.

Model	Length	Nominal Power (W)	Reduction Ratio	Output Torque (Kgf.cm)	Output Speed (rpm)	Conveyer Displacement Velocity (m/s)	
ZWGS76300A	300mm	80 max	4	8	750	1.610	
ZWGS76300B			6	12	500	1.073	
ZWGS76300C			16	32	188	0.403	
ZWGS76300D			36	72	83	0.179	
ZWGS76300E			64	128	47	0.101	
ZWGS76300F			96	150	31	0.067	
ZWGS76300K			144	150	21	0.045	
ZWGS76400A	400mm	80 max	4	8	750	1.610	
ZWGS76400B			6	12	500	1.073	
ZWGS76400C			16	32	188	0.403	
ZWGS76400D			36	72	83	0.179	
ZWGS76400E			64	128	47	0.101	
ZWGS76400F			96	150	31	0.067	
ZWGS76400K			144	150	21	0.045	
ZWGS76500A	500mm	80 max	4	8	750	1.610	
ZWGS76500B			6	12	500	1.073	
ZWGS76500C			16	32	188	0.403	
ZWGS76500D			36	72	83	0.179	
ZWGS76500E			64	128	47	0.101	
ZWGS76500F			96	150	31	0.067	
ZWGS76500F			144	150	21	0.045	

Technical Drawing



ZHA^{⚙️}WEI

Stock Code 003021

Shenzhen Zhaowei Machinery & Electronics Co.,Ltd.
Building101, No.62, Yanhu Road, YanchuanCommunity, Yanluo Street, Bao'an Distr.,
Shenzhen, 518127, Guangdong, China
sales@zwgearbox.com

400-066-2287
www.zwgearbox.com